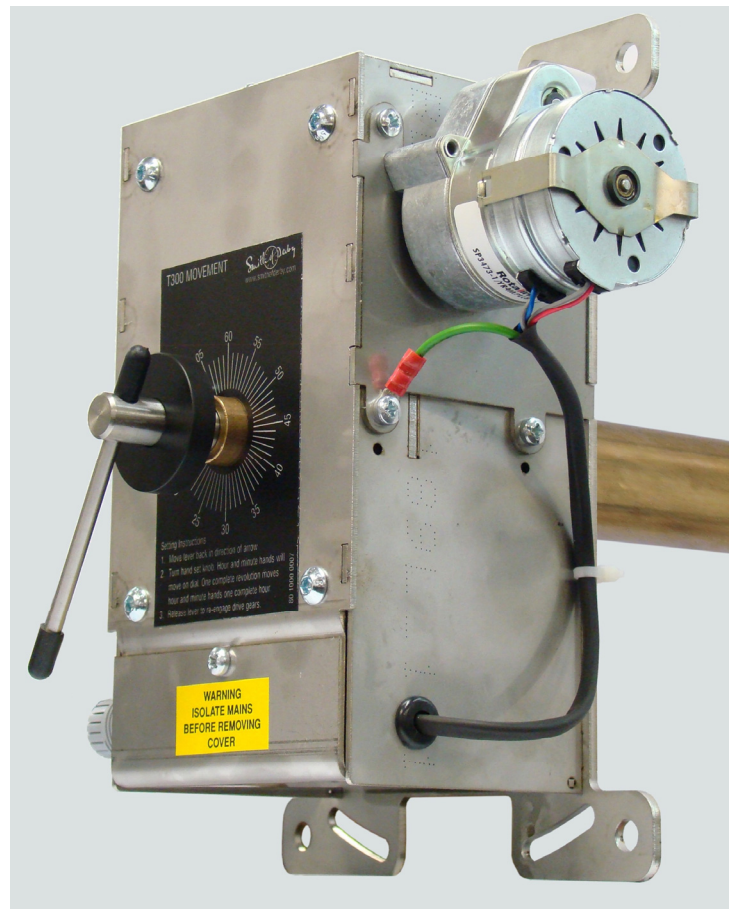


T300 Synchronous Clock Movements

For exterior dials
up to 2,300mm diameter
and interior dials
up to 2,600mm diameter

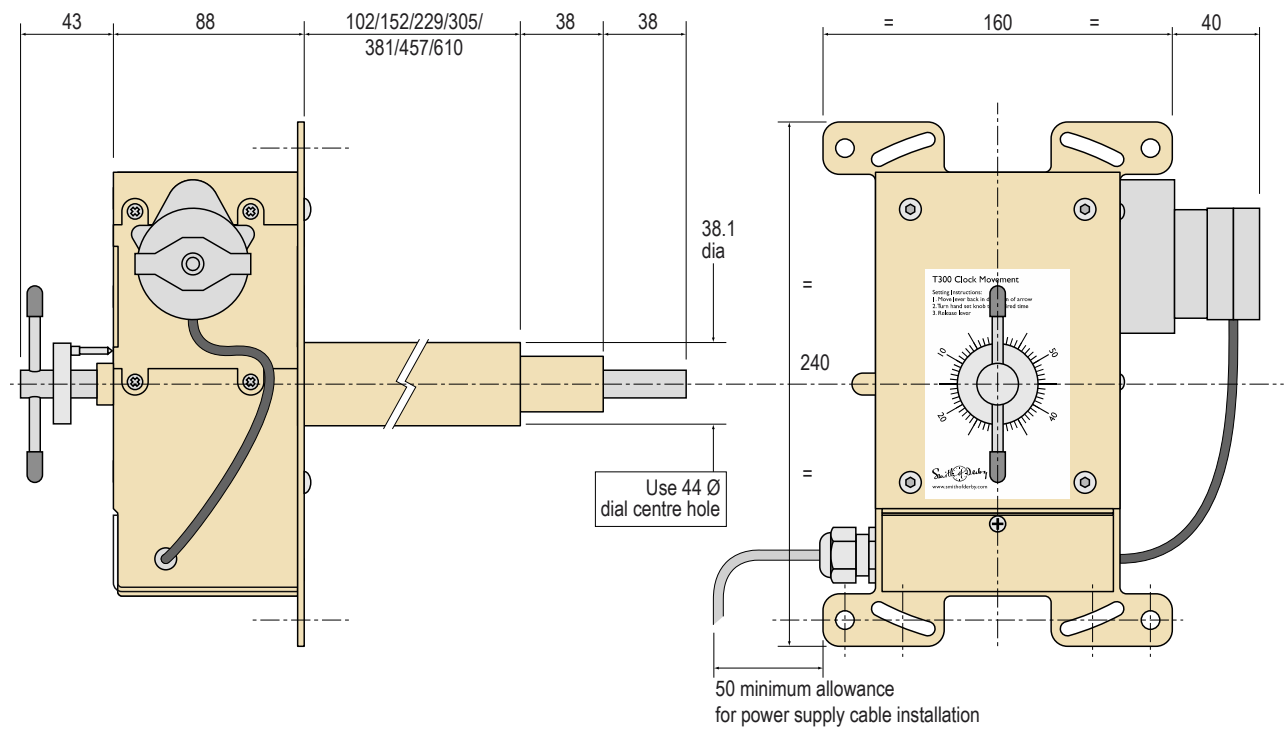
Document ref: T300 Data

Issue date: 29 March 2018



- Accurate timekeeping controlled by mains frequency.
- Reliably drives large weather exposed exterior hands.
- Mounting and drive shaft length options for dial illumination and thickness.
- Easy time adjustment from back of dial.
- Automatic power failure backup and time correction options.
- Excellent build quality giving many years of service.
- UK designed and manufactured.

Dimensions



Installation requirements

Dial diameters

Maximum dial diameters refer to overall sweep of the tip of the hour hand on an exterior dial (without dial cover) or interior/protected (with a cover glass over the hands or dial located indoors).

Location and access

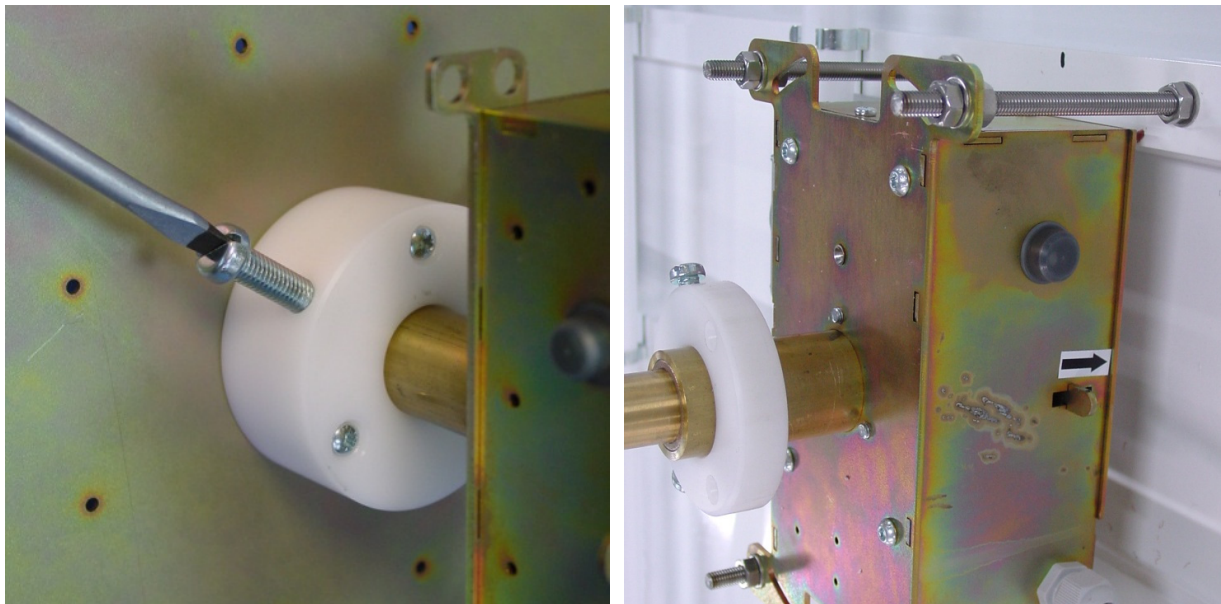
Although it will drive external hands, the T300 unit itself must be weather protected.

Adequate clearances must be provided if the T300 is to be installed in its own housing or casing behind the clock dial.

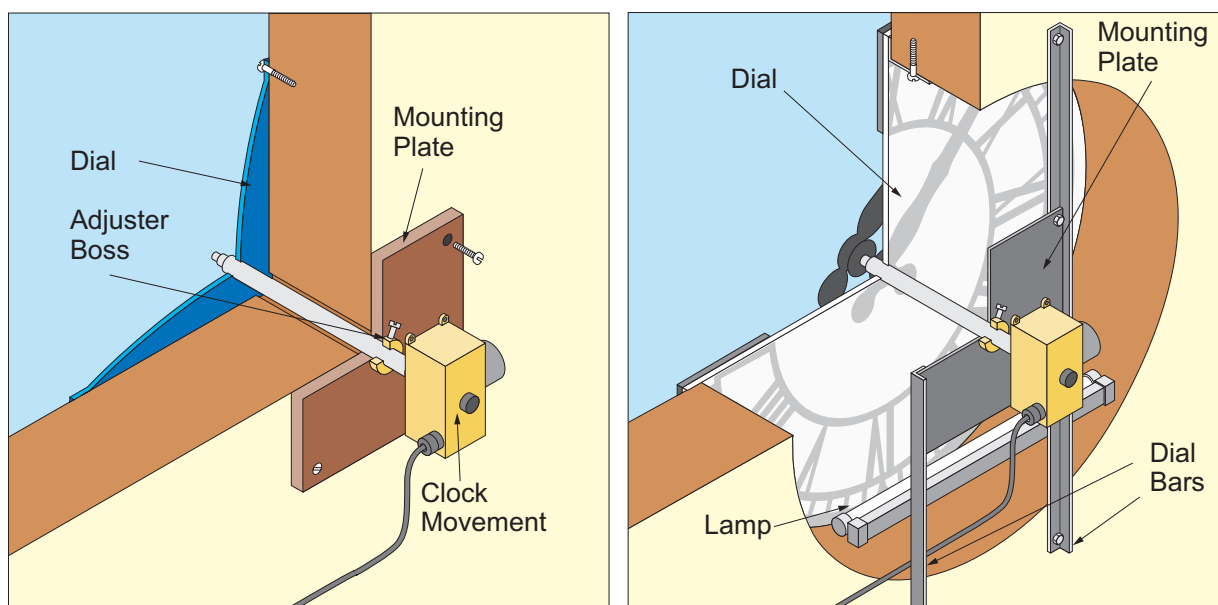
The T300 must be installed where access is possible for maintenance. If rear access is not possible, it will be necessary to remove the clock dial, hands and movement assembly from the outside.

Time adjustment may be done from the back of the movement. If access is not convenient, it must be driven via a Smith of Derby Auto Restart or Inverter Charger back-up system.

Installation methods



The T300 may be centre fixed using an adjuster boss and mounting plate, or frame fixed via the four mounting holes on the chassis. This makes the T300 adaptable for solid or backlit dials.



T300 installed on a mounting plate with adjuster boss to accommodate wall thickness or backlighting.

Safety requirements

The T300 movement must only be installed and maintained by qualified persons and in accordance with all electrical regulations. No attempt must be made to dismantle, modify or repair the unit other than the procedures given in the operation and maintenance manual. Failure to comply may be dangerous and will automatically invalidate any warranty.

Power failure backup systems

We recommend driving the T300 through our power failure back-up system (SA15/8 Auto Restart or SA19/1 Permanent Inverter Charger). These units include self-correction of timekeeping after power failures and automatic summer/winter changeover, and will control up to four individual synchronous movements (one per clock dial).

Electrical requirements

A power outlet to the correct specification must be provided by the client prior to installation of the T300 movement and backup system.

Any fixed cabling required between the backup system and the T300 movement must also be provided.

To comply with regulations both the above must be installed by an approved electrical contractor.

All wiring and connections must comply with local electrical regulations (BS7671 in the United Kingdom).

Maintenance

Smith of Derby offer a maintenance programme which includes one annual service visit within the UK mainland, and includes certain replacement or exchange parts and maintenance within the terms of the agreement. Please contact us for further details.

Guarantee

12 months warranty against failure through faulty workmanship or materials. Please see our full terms and conditions, available on our website or on request.

Specification

Timekeeping accuracy	via backup system	+/- 2 sec/year
	direct from mains	better than +/- 0.1 seconds over a 24 hour period (UK supply)
Weight (nominal excluding hands)		6.0kg
Power requirements	standard	200-240V 50Hz AC
	special order	100-120V 50/60Hz AC
	fuse rating	5A
	power consumption	3w
Operating temperature range		-15 to +55 degrees Celsius
Maximum dial diameters	exterior	2,300mm
	interior/protected	2,600mm
Maximum dial/combined dial and wall thickness		550mm
Minimum space between dial and cover		100mm
Materials		corrosion resistant plated steel casing pre-lubricated long life bearings precision machined brass gear wheels bronze bearings